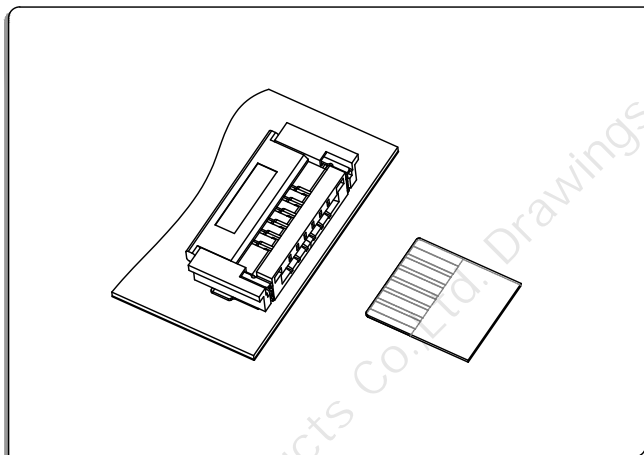


HW1027 Connector 1.0mm Pitch H2.7

FPC
1.0

HW1027 Connector 0.5mm Pitch

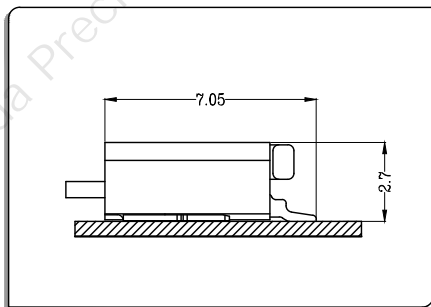


● 技术参数 SPECIFICATIONS

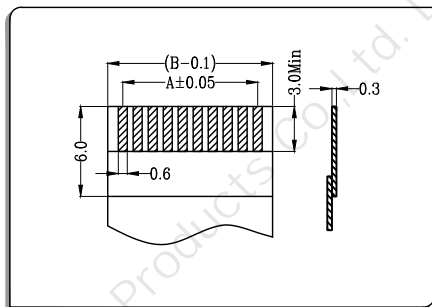
- 1、极数CKT: 4Pin to 35Pin
- 2、额定电流Current rating: 0.5A AC/DC
- 3、额定电压Voltage rating(max): 50V, AC/DC
- 4、工作温度Working Temperature: $-25^{\circ}\text{C} \sim +85^{\circ}\text{C}$,
(含通电温度上升值)
(Including temperature rise in applying electrical current)
- 5、接触电阻Contact resistance: 初始Initial value $\leq 20\text{m}\Omega$
环境测试后After environmental testing $\leq 40\text{m}\Omega$
- 6、绝缘电阻Insulation resistance: $\geq 100\text{M}\Omega$
- 7、耐电压Withstand voltage: 500VAC (rms)
- 8、适用基板厚度Applicable PC board thickness: 1.6mm to 2.0mm

● 安装尺寸 Mounting Measurement

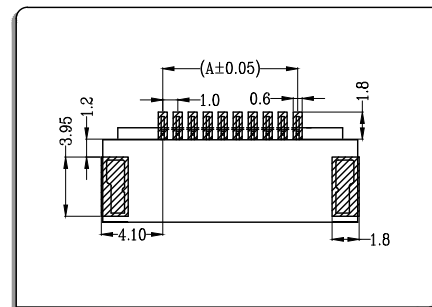
● Assembly Layout



● Applicable Flat Cable

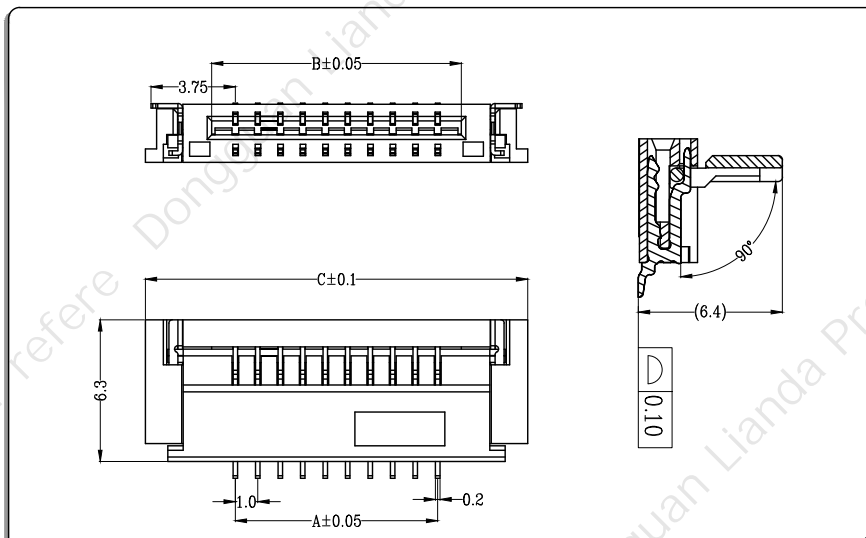


● P.C.B Layout



● 后压卧式(带扣) Back Flip R/A With Buckle

- 材料与表面处理 Material and Finish:
Housing: LCP UL94V-0 & Terminal: phosphor bronze &
Fitting: Brass; Finish: Tin-plated & Gold-plated



CKT	Part No	DIM A	DIM B
4	HW10270-04	3.00	5.10
5	HW10270-05	4.00	6.10
6	HW10270-06	5.00	7.10
7	HW10270-07	6.00	8.10
8	HW10270-08	7.00	9.10
9	HW10270-09	8.00	10.10
10	HW10270-10	9.00	11.10
11	HW10270-11	10.00	12.10
12	HW10270-12	11.00	13.10
13	HW10270-13	12.00	14.10
14	HW10270-14	13.00	15.10
--	-- --	--	--
35	HW10270-35	34.00	36.10