

HSE ROHS

REV	ECN NO	DESCRIPTION	DATE	NAME
A		NEW		

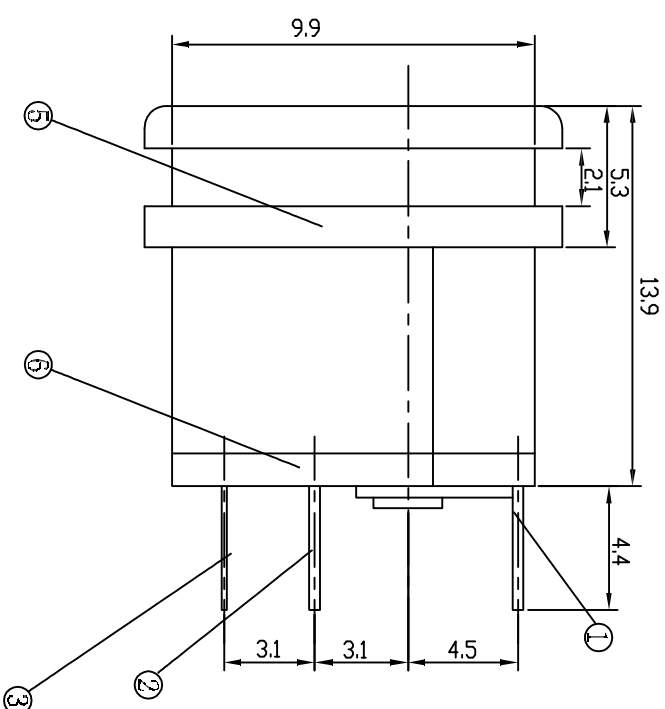
SPECIFICATION

1. Rating: DC 30V 2.5A
2. Contact resistance: $\leq 0.03\Omega$
3. Insulation resistance: $\geq 100M\Omega$ (DC250V)
4. Withstand voltage: 500VAC
5. Insertion and extraction force: 3-25N
6. Life test: 5000 cycles.

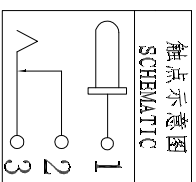
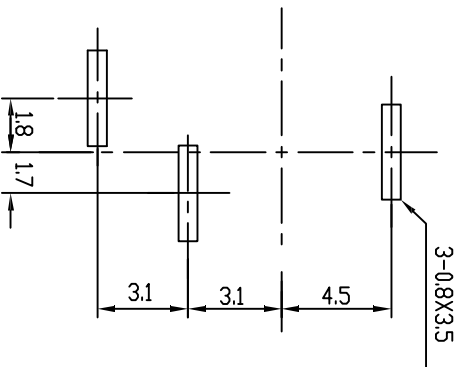
Ordering Information

L781 20 - 64 0 2 XX X

Mandrel diameter 20 ± 0.04 mm
 Hole Diameter 64 ± 0.4 mm
 Welding method 0=Stright
 Dtp type 2=Without Shell
 structure
 Serial No. 01-99
 Packing C=Tray
 D=Reel



印制线路板开孔尺寸



NO.	DESCRIPTION	QTY	MATERIAL	PLATING
1	PIN	1	SPCC	SN-Plating
2	PIN	1	SPCC	SN-Plating
3	PIN	1	MN65	SN-Plating
4	Center axis	1	H59	SN-Plating
5	Insulator	1	PBT	Black
6	Insulator Cover	1	PBT	

LDCONN 东莞连大精密制品有限公司
 Dongguan LianDa Precision Products Co., LTD

STANDARD TOLERANCE (EXCEPT SPECIFIED)	
LINER	ANGLES
.0 ±0.30	0.° ±3°
.00 ±0.25	.0° ±2°
.000 ±0.15	.00° ±1°

TITLE	DC JACK-3P Stright DTP Type, Without Shell	DRAWN BY	WZG
PART NO	L78020-6402XXX	CHECKED BY	
DRAWING NO		APPROVED BY	
SCALE	1:1	UNIT	mm
PAGE	1/1	SIZE	A4