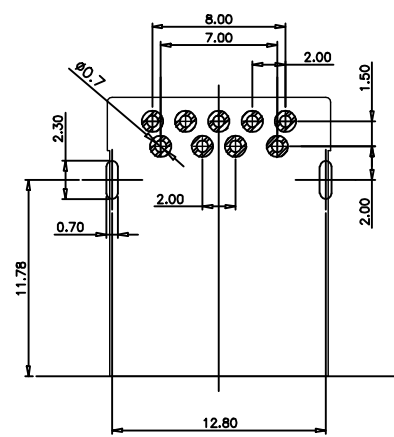
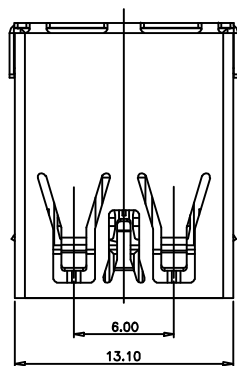
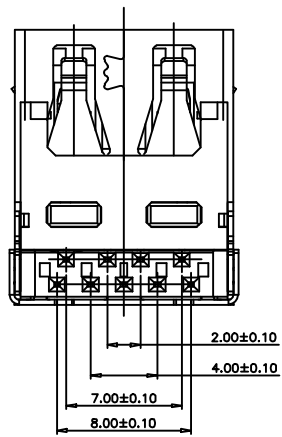
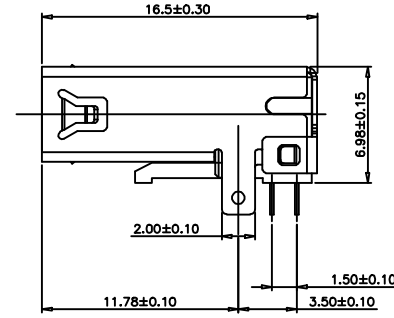
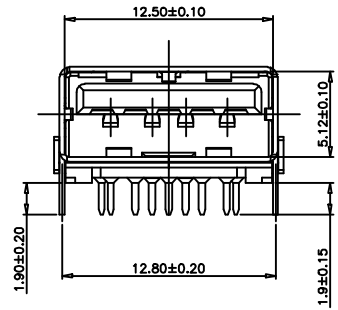


HSF RoHS

REV	ECN NO	DESCRIPTION	DATE	NAME
A		NEW		



TOLERANCE: ± 0.05 , THICKNESS: 1.2mm
RECOMMENDED PCB LAYOUT
 (TOP VIEW)



NOTE:

- MATERIAL:
 - INSULATOR: LCP UL 94V-0 ;
 - CONTACT: C210R-H(T=0.25mm),
 - SHELL: SUS 201(T=0.30mm)
- ELECTRICAL CHARACTERISTICS:
 - CONTACT RESISTANCE: 30mΩ Max
 - CONTACT CURRENT RATING: 1.5A
 - DIELECTRIC WITHSTANDING VOLTAGE: 500 V R.M.S.
 - INSULATION RESISTANCE 100 MEGOHMS Min
 - OPERATING TEMPERATURE: -40°C ~ 85°C
- MECHANICAL CHARACTERISTICS:
 - MATING FORCE: 35 N Max
 - UNMATED FORCE: 10 N Min INITIAL; 8 N Min AFTER TEST
 - DURABILITY: 5,000 CYCLES
- PLATING
 - TERMINAL CONTACT: (SEE TAB) GOLD PLATING ALL OVER 50u" MIN NICKEL AND 80u" MIN Matte Tin ALL OVER 50u" MIN NICKEL IN SOLDER AREA
 - SHELL: 50u" MIN. NICKEL ALL OVER

Ordering Information

L75709 - 1 1 X XX X

PIN 09-9P

Layer: 1=Single Layer

Colour: 3=Blue, 1=Black, 2=White

Serial NO.: 01-99

Packing: C=Tray, D=Reel

Pin #	SIGNAL NAME	DESCRIPTION	MATING SEQUENCE
1	VBUS	POWER	SECOND
2	D-	USB 2.0 DIFFERENTIAL PAIR	THIRD
3	D+	DIFFERENTIAL PAIR	THIRD
4	GND	GROUND FOR POWER RETURN	SECOND
5	StdA_SSPX-	SUPERSPEED RECEIVER DIFFERENTIAL PAIR	LAST
6	StdA_SSPX+	DIFFERENTIAL PAIR	LAST
7	GND_DRAIN	GROUND FOR SIGNAL RETURN	SECOND
8	StdA_SSTX-	SUPERSPEED TRANSMITTER DIFFERENTIAL PAIR	LAST
9	StdA_SSTX+	DIFFERENTIAL PAIR	LAST
Shell	Shield	CONNECTOR METAL SHELL	FIRST

STANDARD TOLERANCE (EXCEPT SPECIFIED)			
LINER		ANGLES	
.0	± 0.30	0.°	$\pm 3°$
.00	± 0.20	0.°	$\pm 2°$
.000	± 0.10	.00°	$\pm 1°$

LDCONN 东莞连大精密制品有限公司
 DongGuan LianDa Precision Products Co., LTD

TITLE	USB 3.0 A/F Right Angle, Straight Feet Type, Non Roll Edge	DRAWN BY	Lujunhui	18.10.19
PART NO	L75709-11XXXX	CHECKED BY		
DRAWING NO		APPROVED BY		
SCALE	1:1	UNIT	mm	PAGE 1/1
				SIZE A4