

HSF RoHS

REV	ECN NO	DESCRIPTION	DATE	NAME
A		NEW		

Note:

1.Material

1.1: Housing: NY66, Color:White

1.2: Contact: Brass,Tin.

2.Rating:

2.1: Operating Voltage: 250V AC/DC.

2.2: Current Rating: 5A AC/DC.

2.3: Operating Temperature:-25°C~+85°C.

2.4: Contact Resistance:30 mΩ max.

2.5: nsulation Resistance:1000 MΩ min.

2.6: Dielectric withstanding Voltage: AC 1500V

3.Pater Number:

Ordering Information

L108XX - 1 1 5 6 XX A

Pin Per Row | Row Option | Insulation Material | Serial NO. | Packing

1=Single Row | 4=LCP | 01-99 | A=PE Bag

Welding Method | Special form

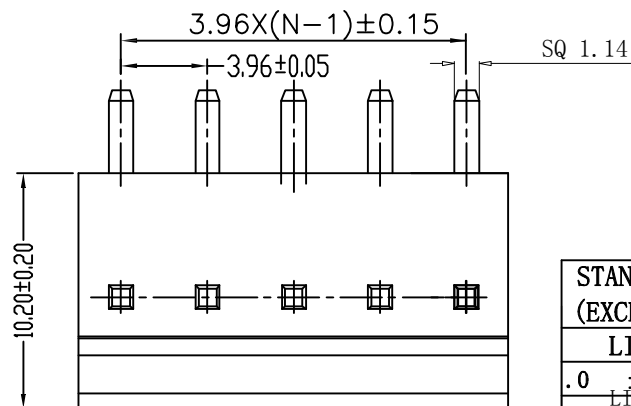
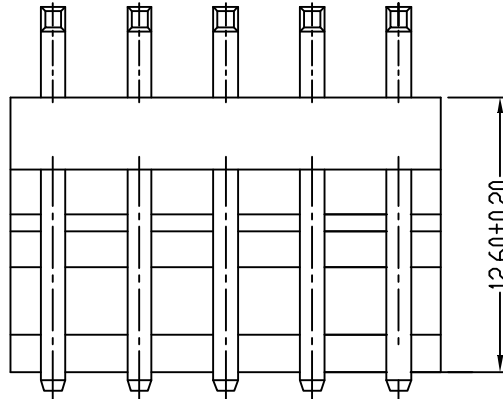
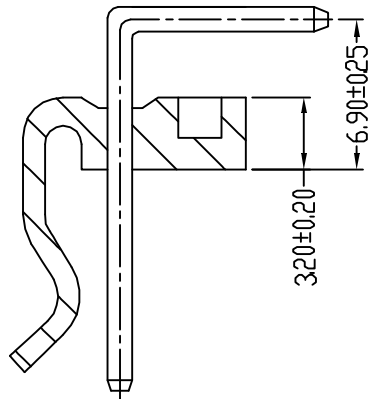
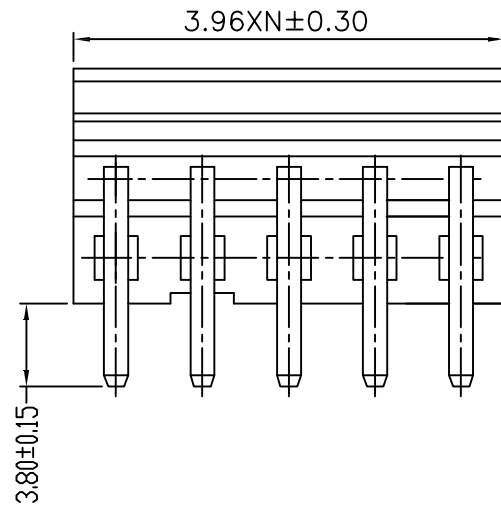
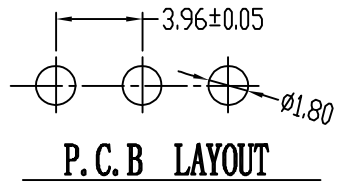
1=Right DIP type | 6=Bend plastic back

5=NY66

LDCONN 东莞连大精密制品有限公司

DongGuan LianDa Precision Products Co., LTD

TITLE	PH3.96mm Wafer Single row, DIP Right type with Bend plastic back	DRAWN BY	WZG	17.03.30
PART NO	L108XX-1156XXA	CHECKED BY		
DRAWING NO		APPROVED BY		
SCALE	1:1	UNIT	mm	PAGE 1/1
				SIZE A4



STANDARD TOLERANCE
(EXCEPT SPECIFIED)

LINER	ANGLES
.0 ±0.30	0.° ±3°
.00 ±0.20	.0° ±2°
.000 ±0.10	.00° ±1°