

HSF RoHS

REV	ECN NO	DESCRIPTION	DATE	NAME
A		NEW		

Specifications

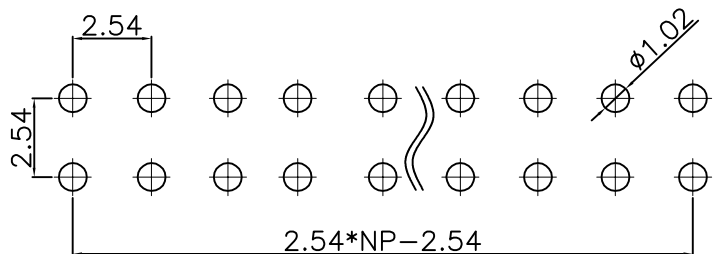
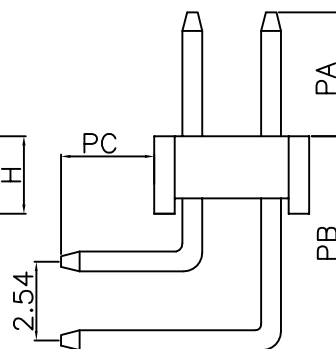
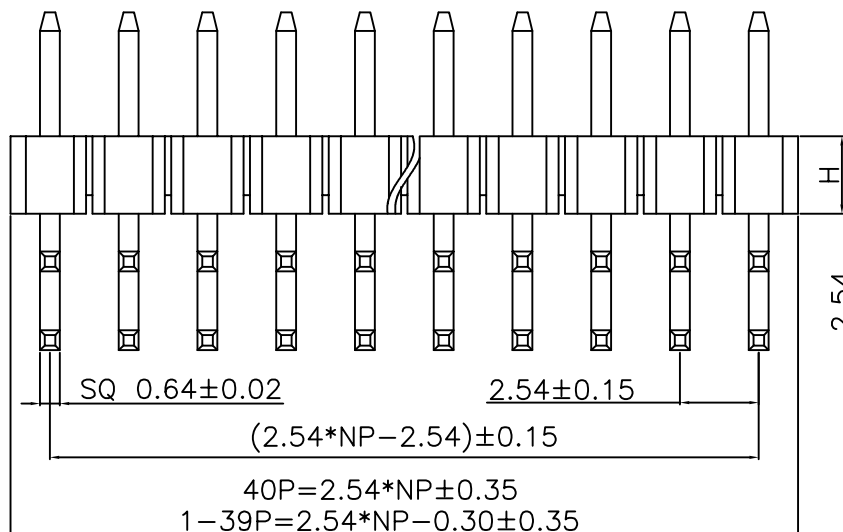
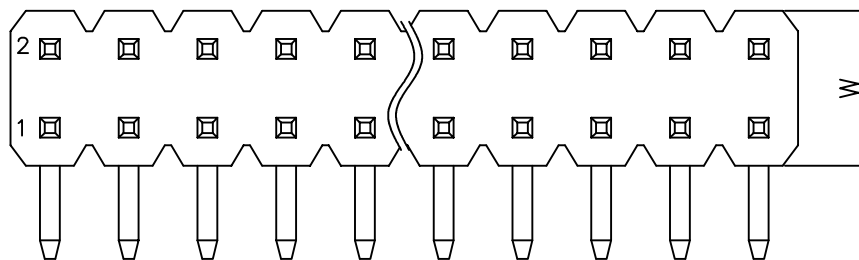
- 1.Current Rating:3.0Amps
- 2.Insulation Resistance:1000 MΩ min.
- 3.Dielectric withstanding Voltage:1000V AC/DC
- 4.Contact Resistance:20 mΩ max.
- 5.Operating Temperature:-40°C to+105°C
- 6.Contact Material: Brass
- 7.Insulation Material:Asfollows,UL94V-0,Black
- 8.Plated: Au Over Ni

Ordering Information

L208 XX -XX 1 X X XX X

Insulation Height*Wide (H*W) Option: 10=1.0*2.0 15=1.5*2.3 25=2.54*5.0	NO. of Pins Per Row: 1-50P	Insulation Material Option: 1=PBT 2=PPS 3=NY6T 4=LCP 5=NY66 6=Customized 7=NY46 8=NY9T	Contact Plating 0=0.8" Gold 1=Au1" Gold 2=Au1.5" Gold 3=Au2" Gold 4=Au3" Gold 5=Au5" Gold 6=Customized 7=Gold/Tin 8=Tin	Serial NO. 01-69	Packing A=PE Bag B=Tube C=Tray D=Reel
--	-------------------------------	---	--	---------------------	---

Dimension antitheses list					
ITEM	PC	PB	PA	H	Pin Length
Standard	3.00	6.90	4.00	2.54	12.0/17.0
Alternate					



PCB LAYOUT

STANDARD TOLERANCE (EXCEPT SPECIFIED)	
LINER	ANGLES
.0 ±0.30	0.° ±3°
.00 ±0.20	.0° ±2°
.000 ±0.10	.00° ±1°

LDCONN 东莞连大精密制品有限公司
 大 DongGuan LianDa Precision Products Co., LTD

TITLE	PH2.54mm Pin Header Dual Row 90°	DRAWN BY	YTT	16.02.03
PART NO	L20825-XX1XXXXA	CHECKED BY		
DRAWING NO		APPROVED BY		
SCALE	1:1	UNITE	mm	PAGE 1/1
				SIZE A4